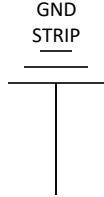


MG WIRING SCHEMATICS

Legend



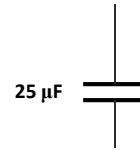
EMS Pin (28)



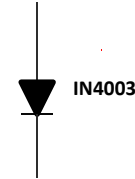
Ground (to GND terminal strip)



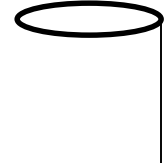
Resistor



Capacitor
(25 microFarad)



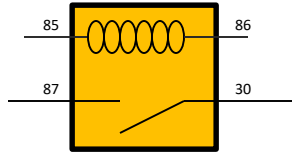
Diode
(P/N: IN4003)



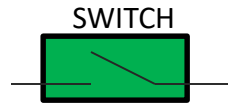
EMI Shielding



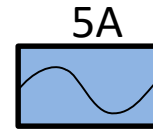
Connector
(Firewall)



Relay



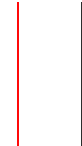
Switch



Fuse
(5 Amp)



Positive
Terminal Strip



Wires
(black is standard, red denotes (+) source to component)

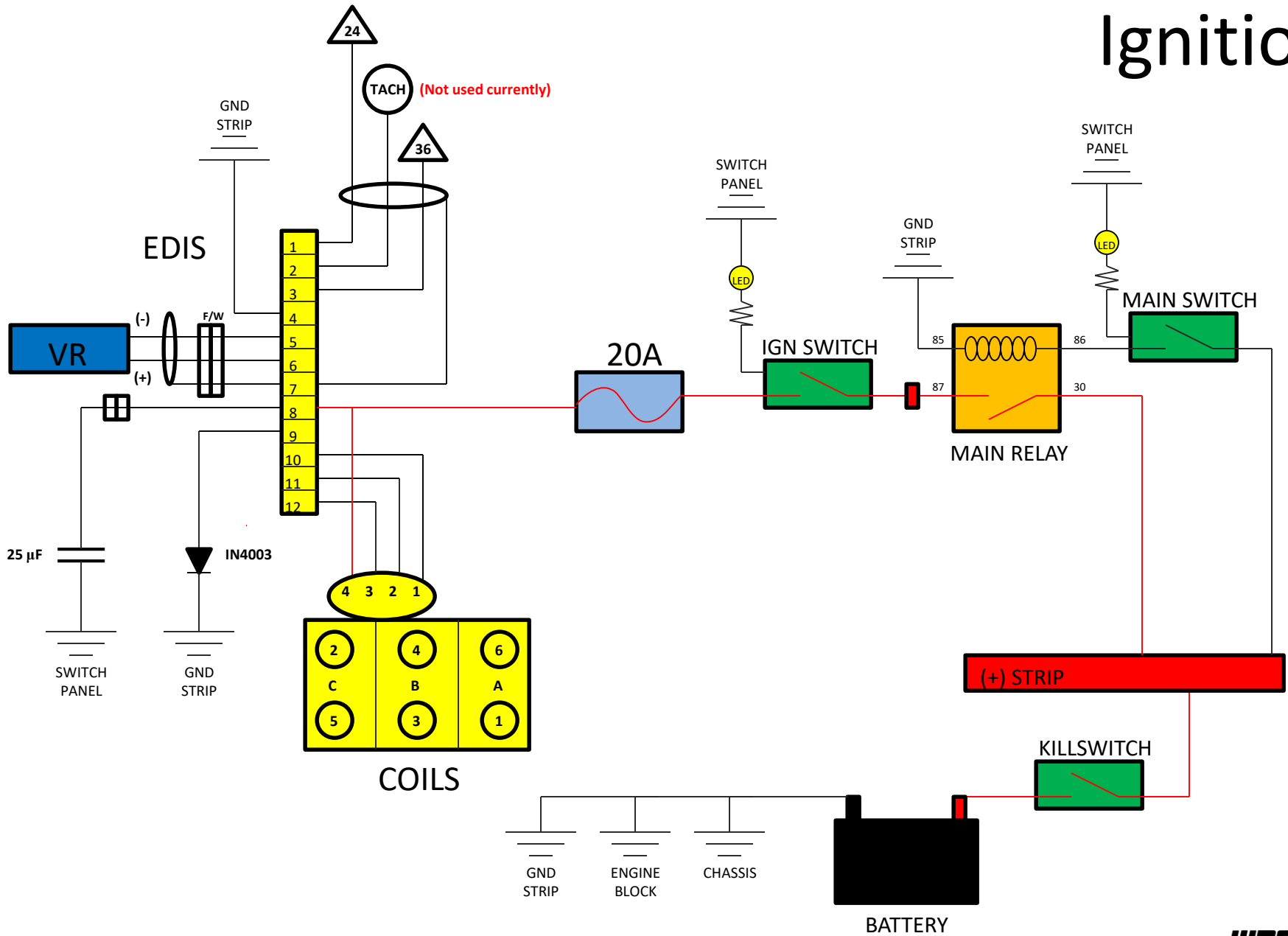


Sensor
Ground



Switched
Positive

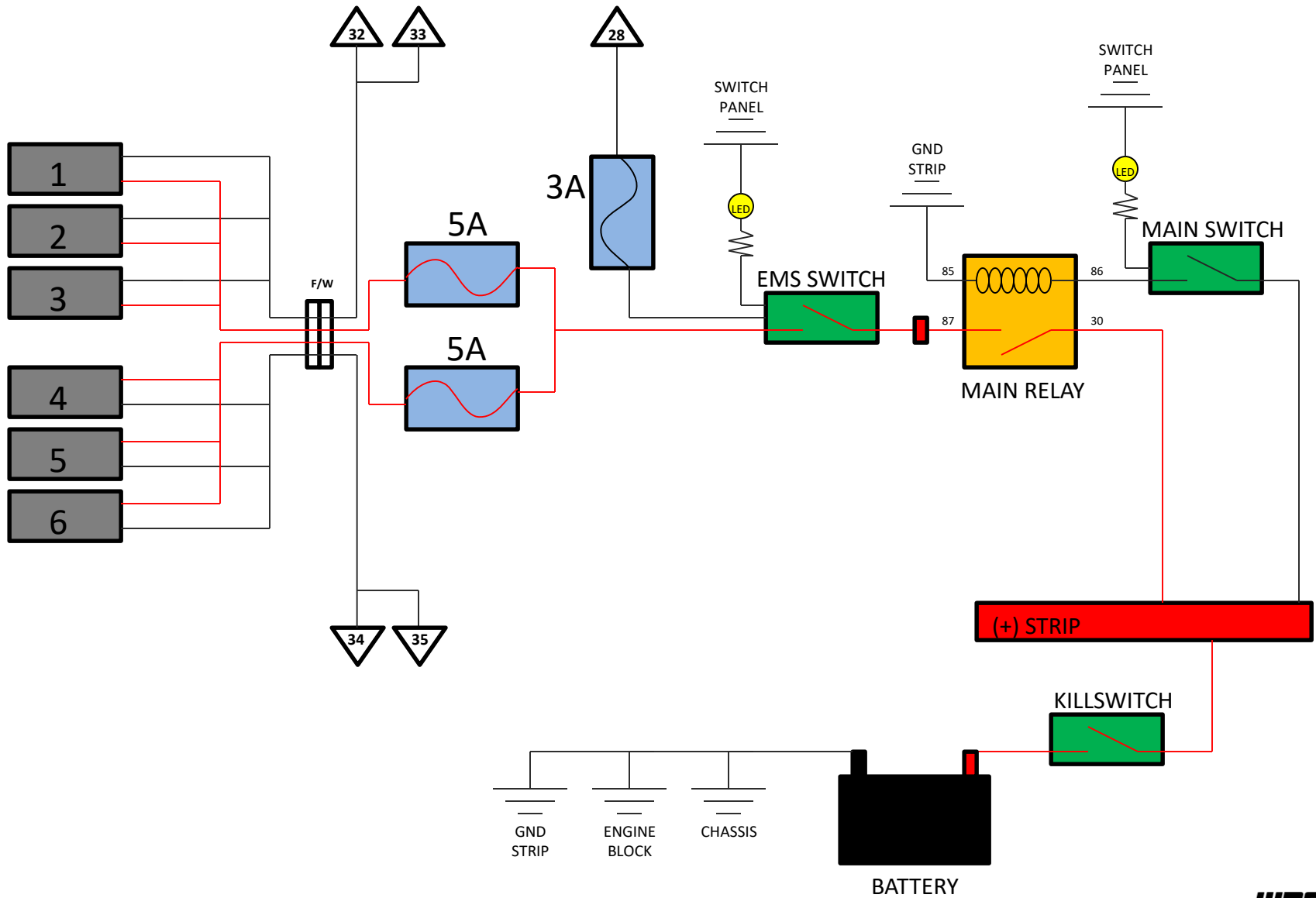
Ignition



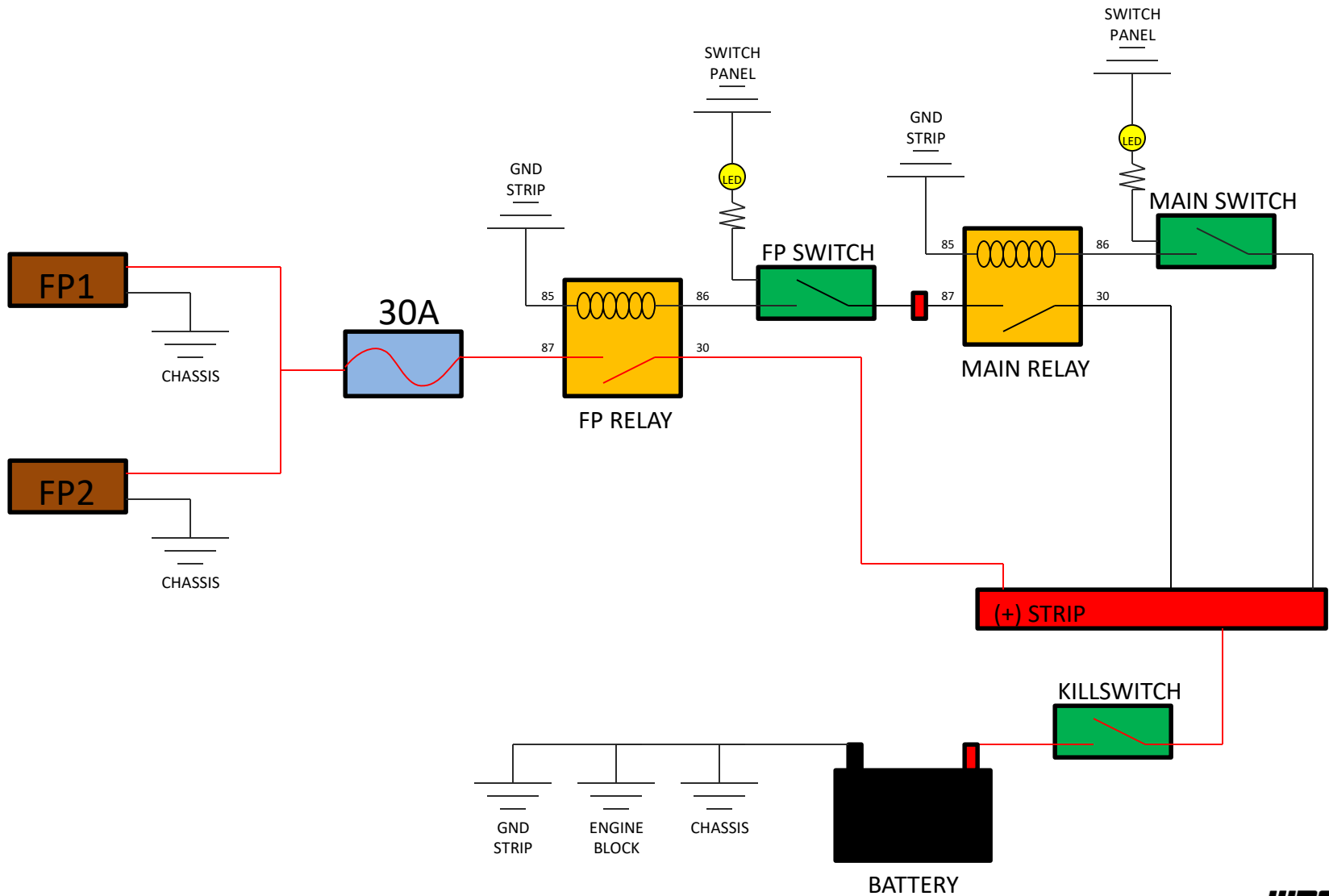
EDIS/COIL FIRING ORDER: A-C-B
2JZ-GE FIRING ORDER: 1-5-3-6-2-4



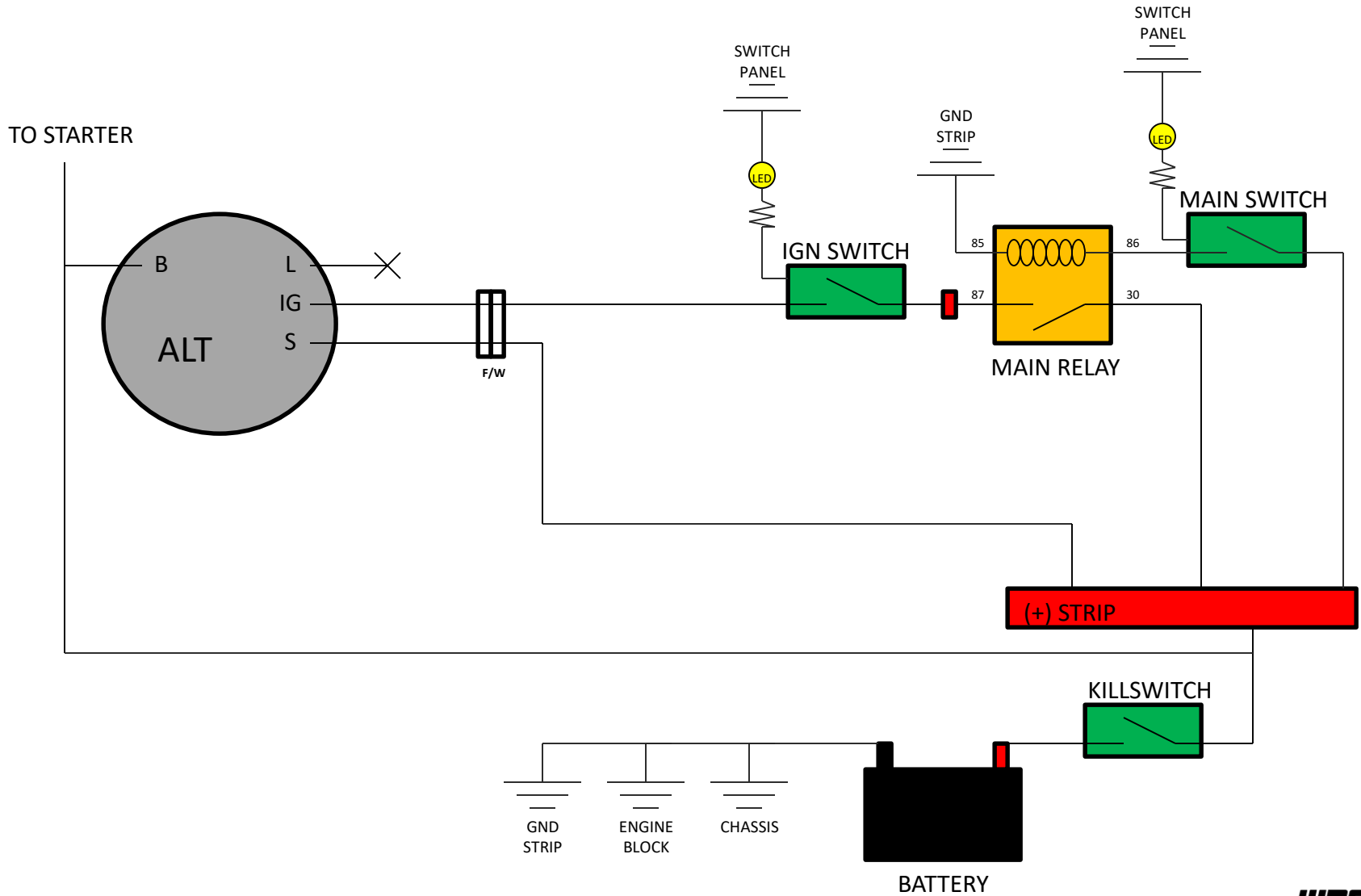
Injectors



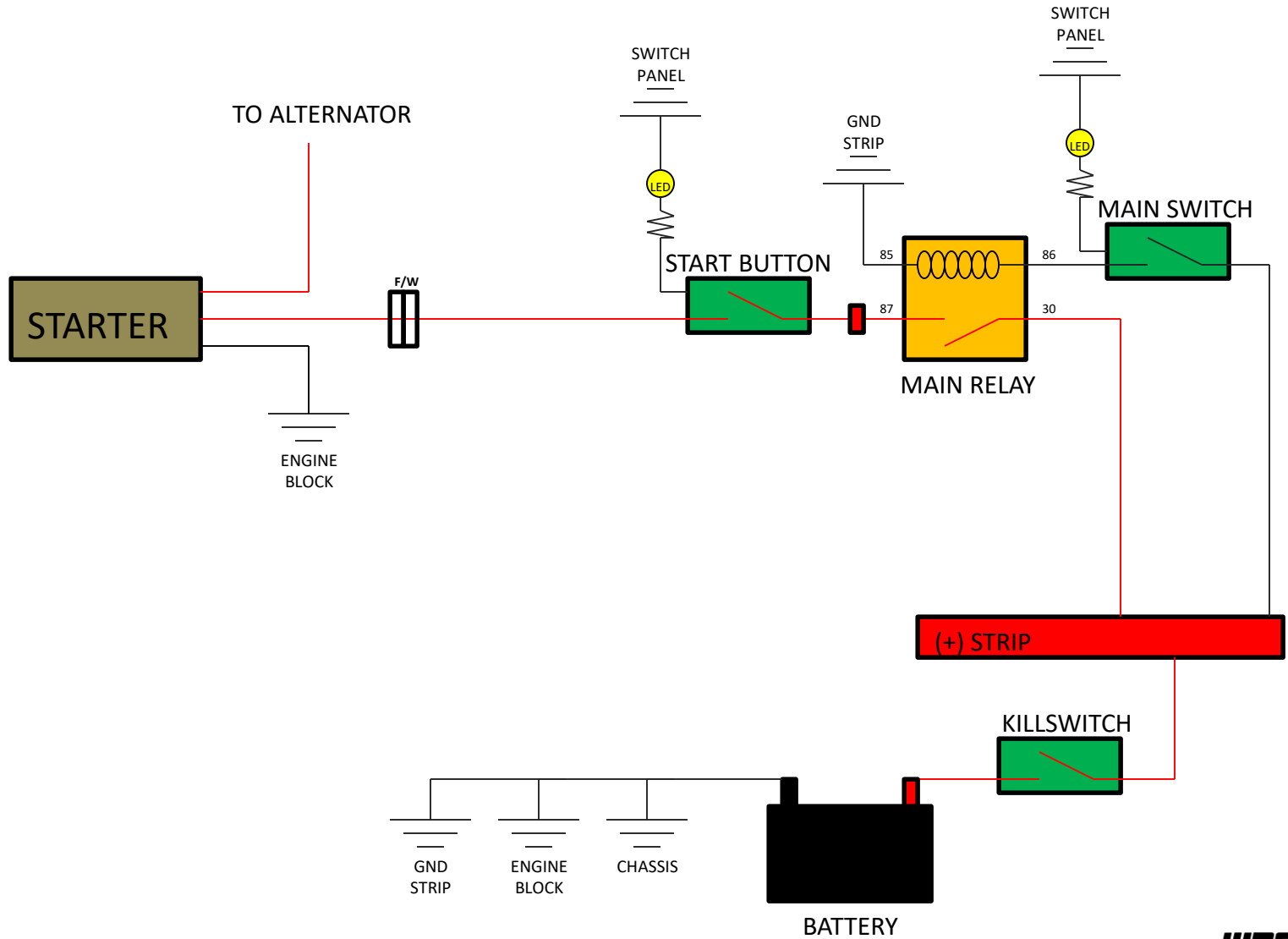
Fuel Pumps



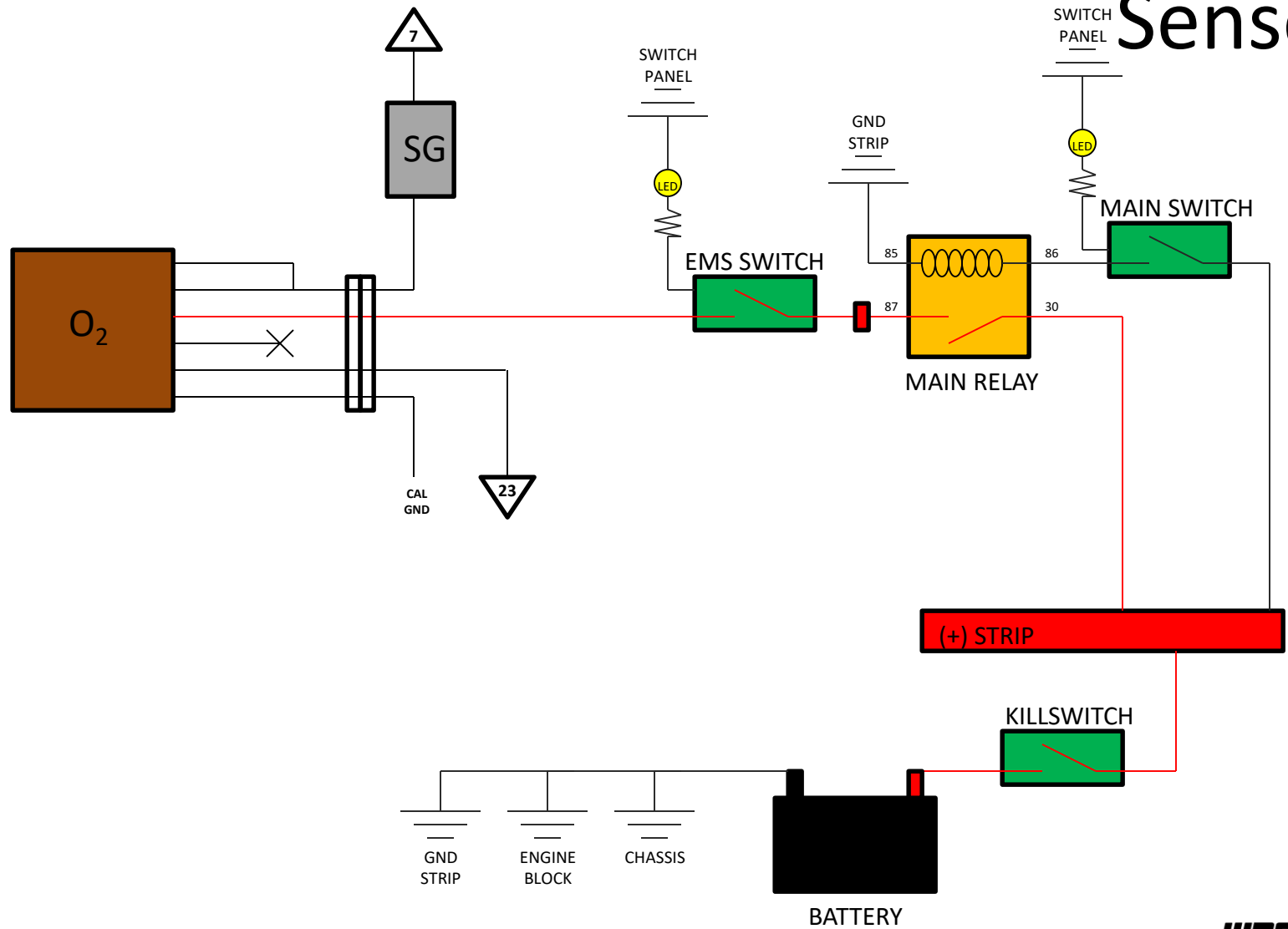
Alternator



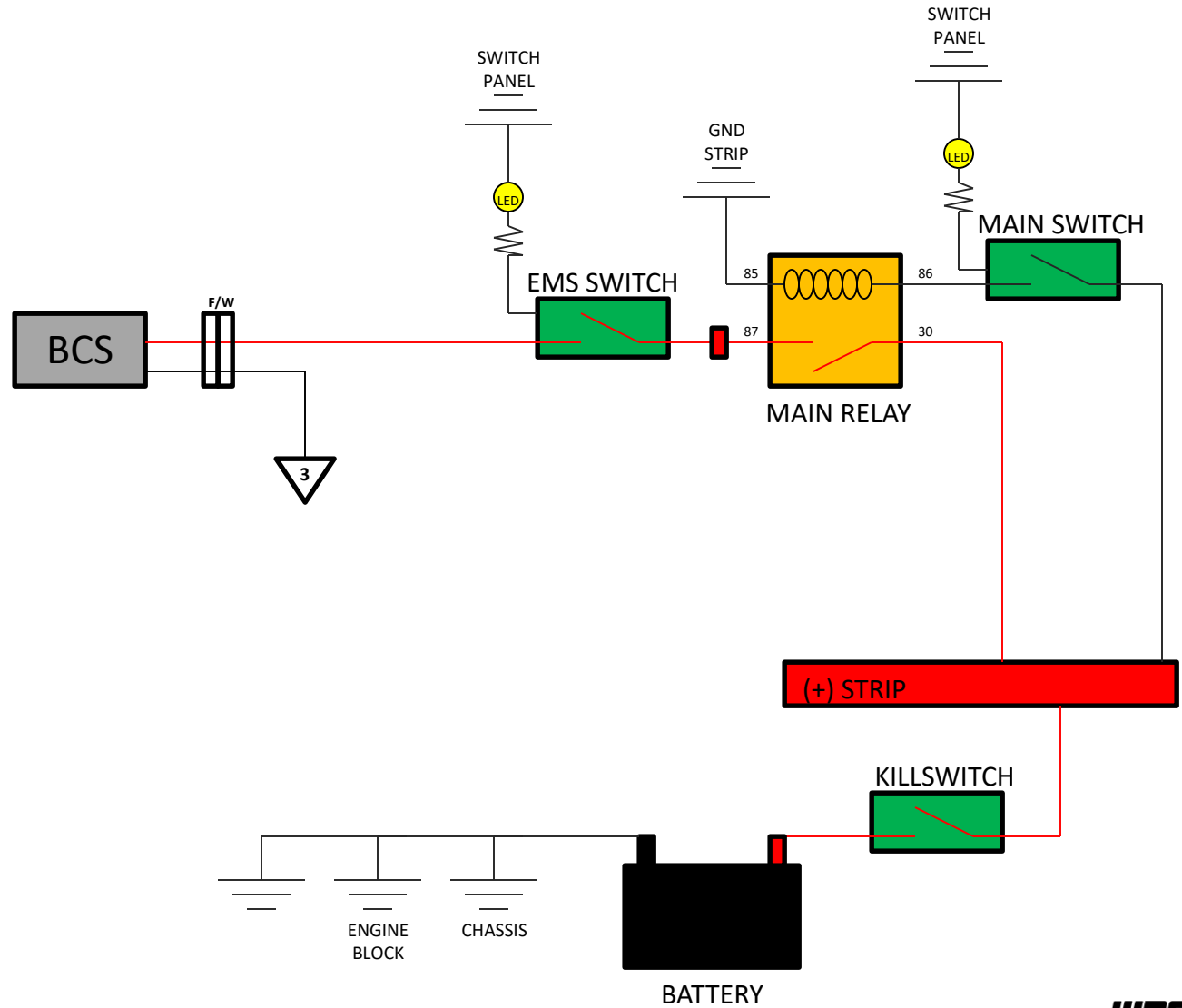
Starter



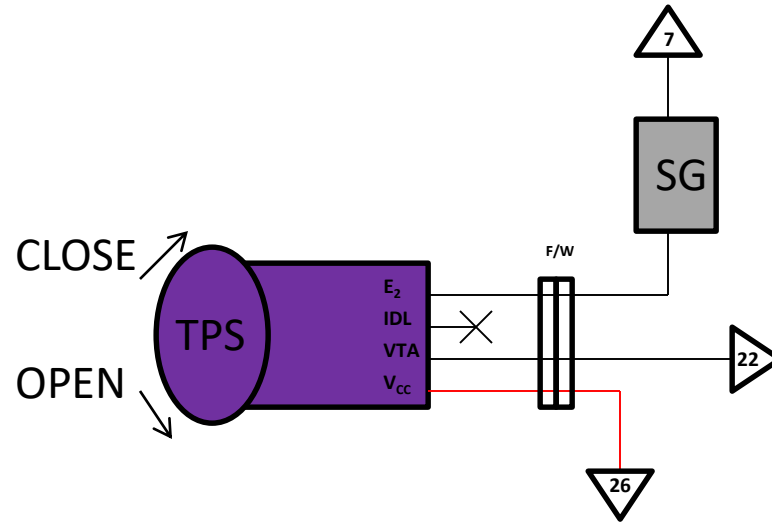
Oxygen Sensor



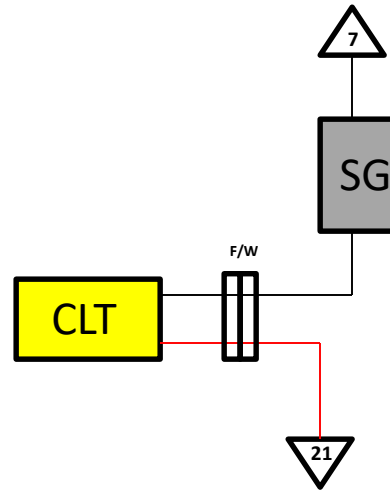
Boost Control Solenoid



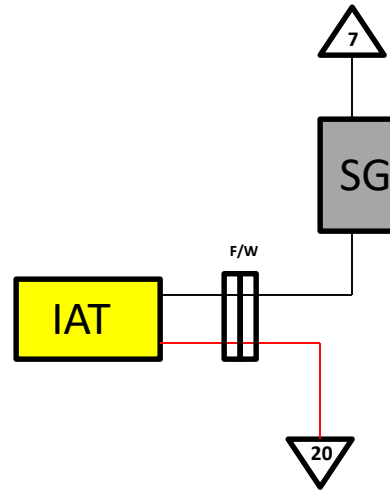
Throttle Position Sensor



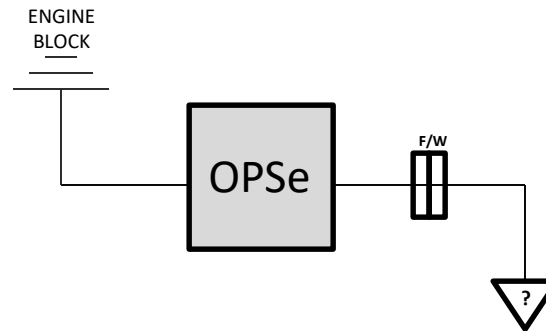
Coolant Temp Sensor



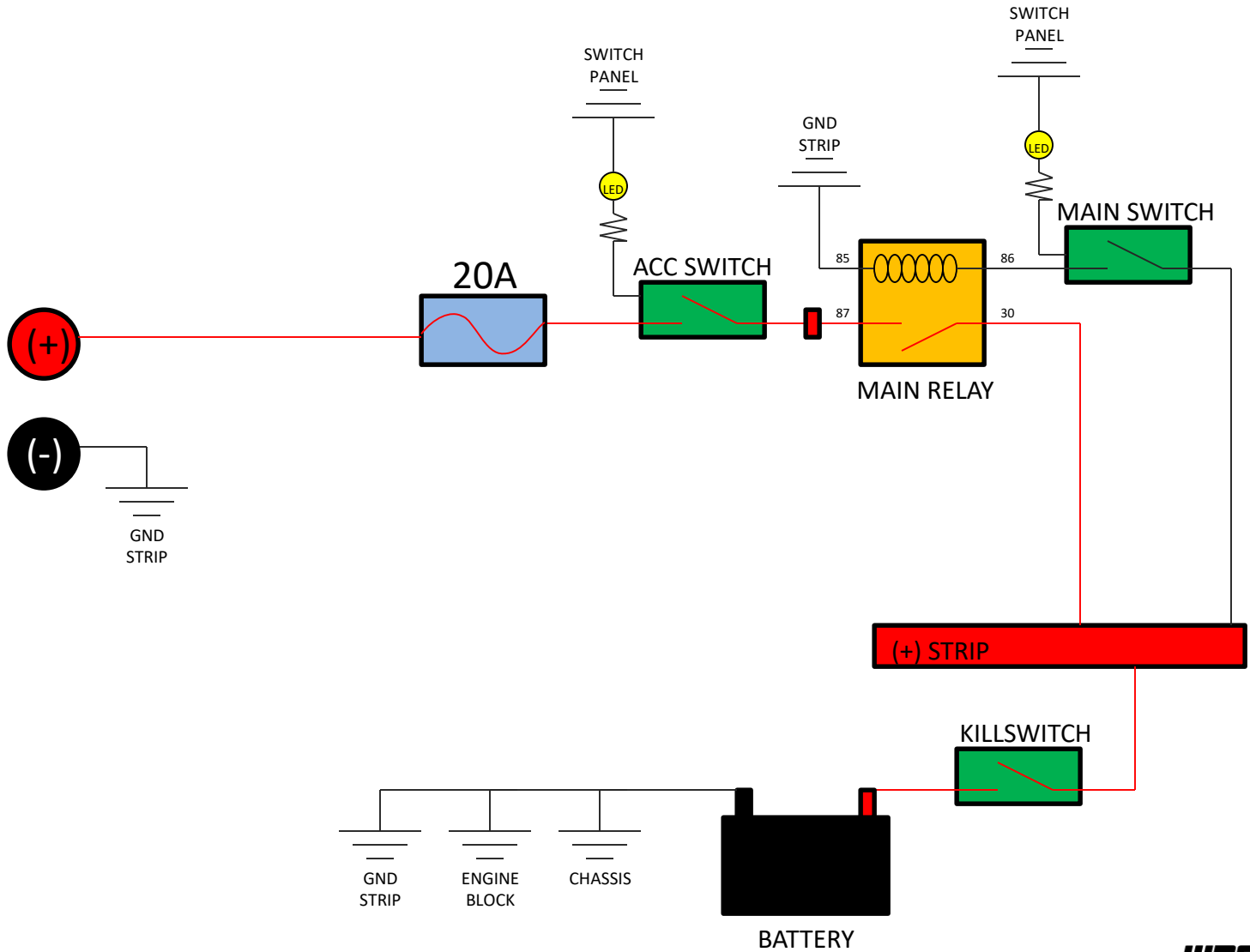
Intake Air Temp Sensor



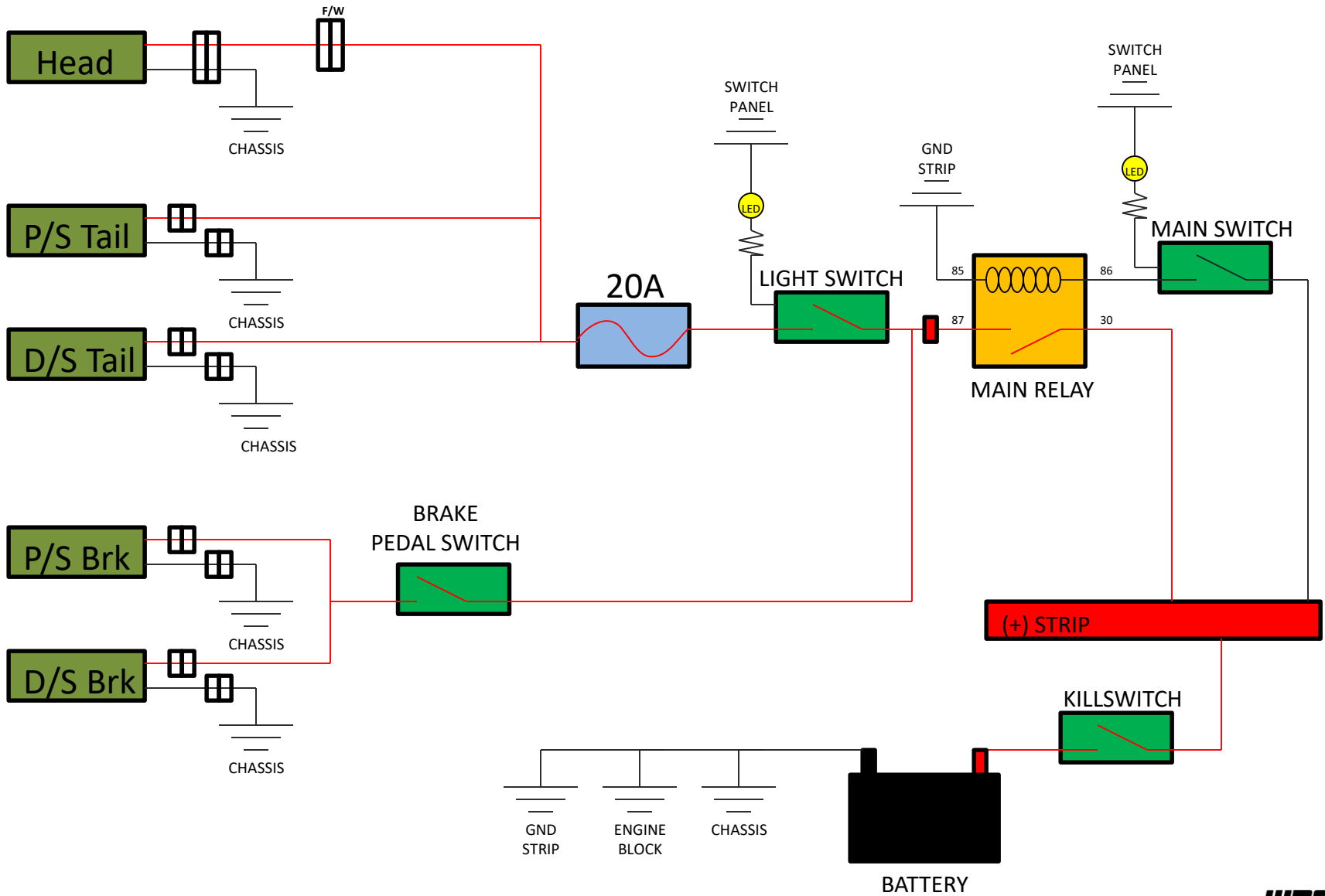
Oil Pressure Sender (not currently installed)



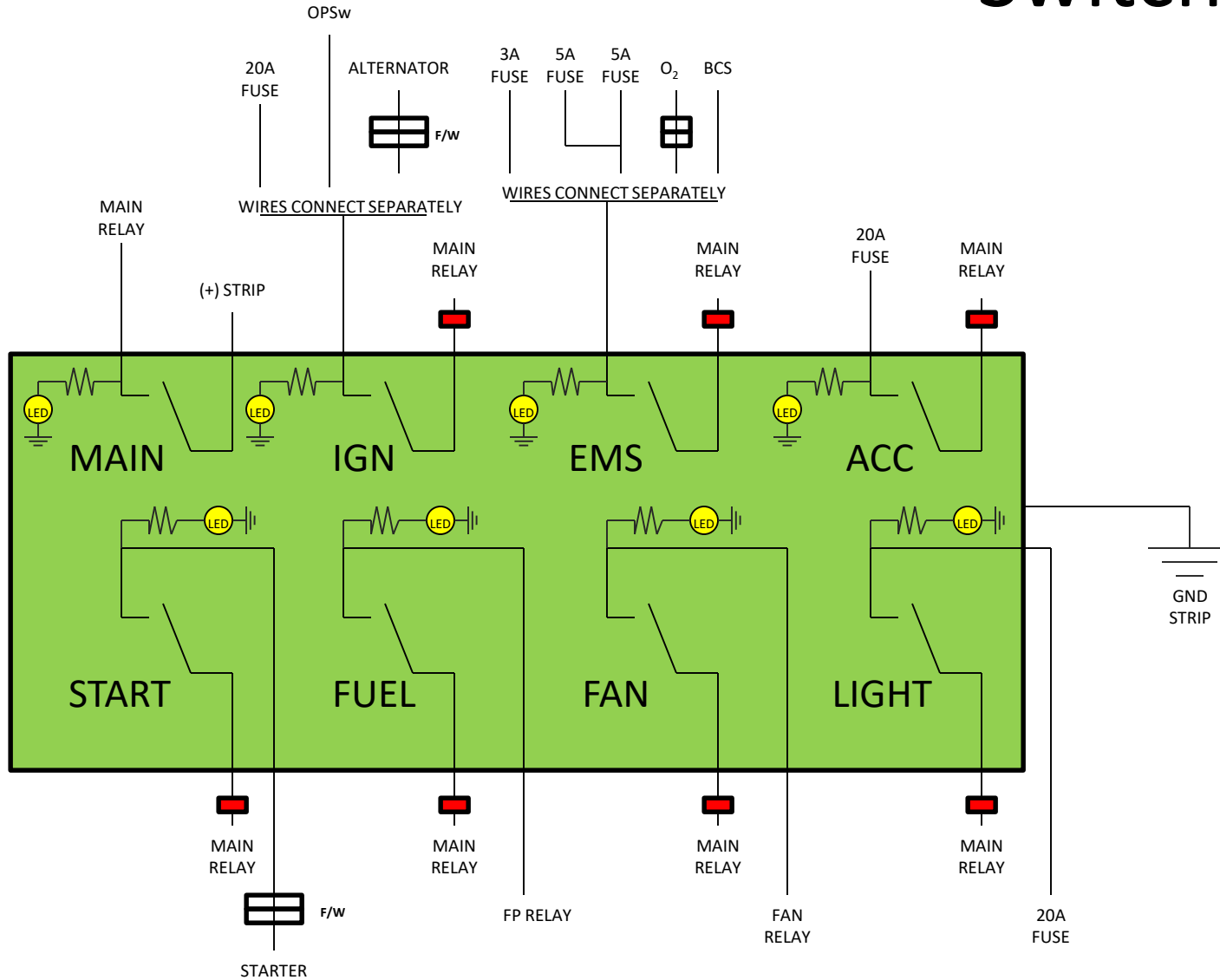
Power Ports



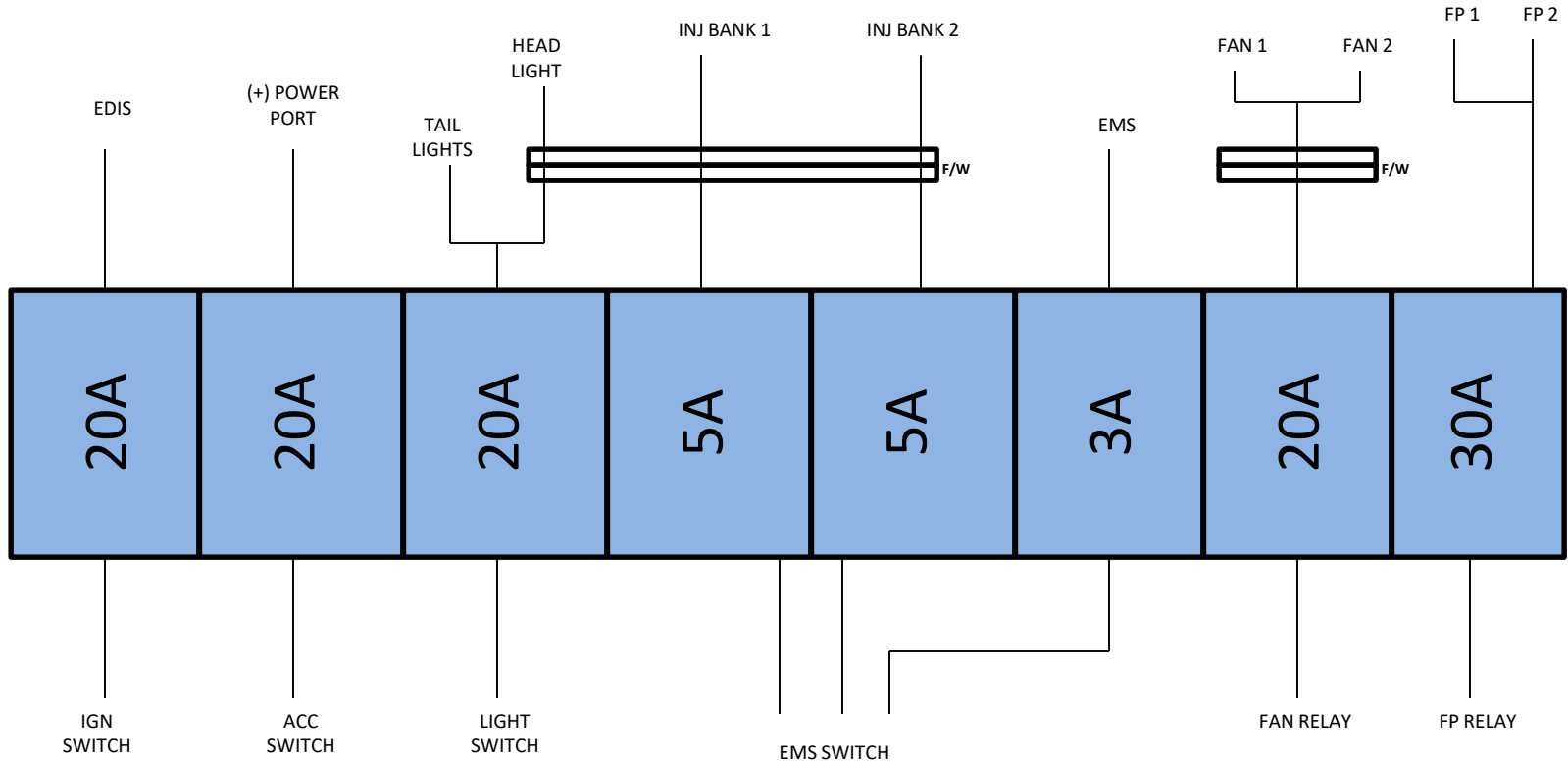
Lights

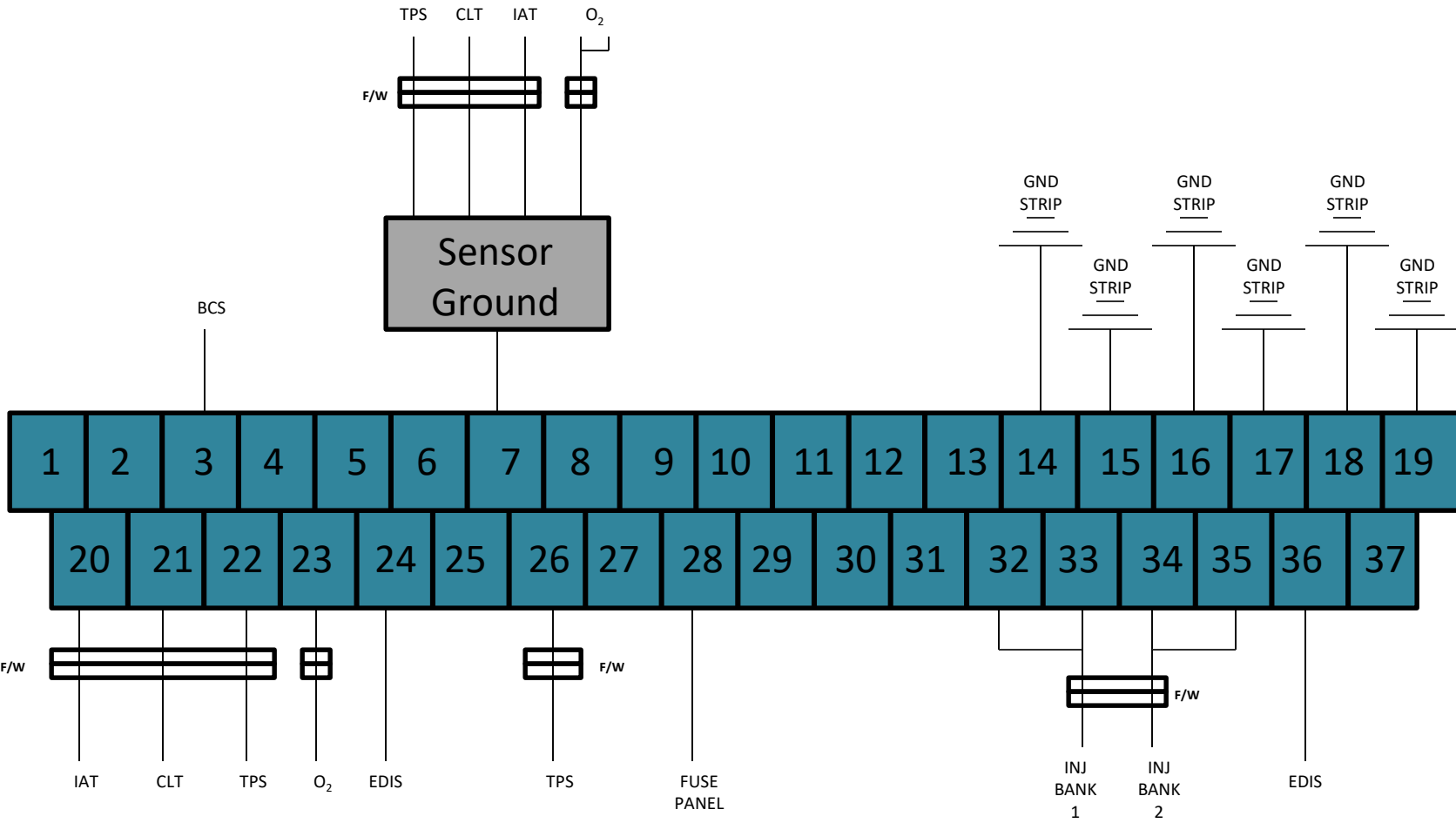


Switch Panel

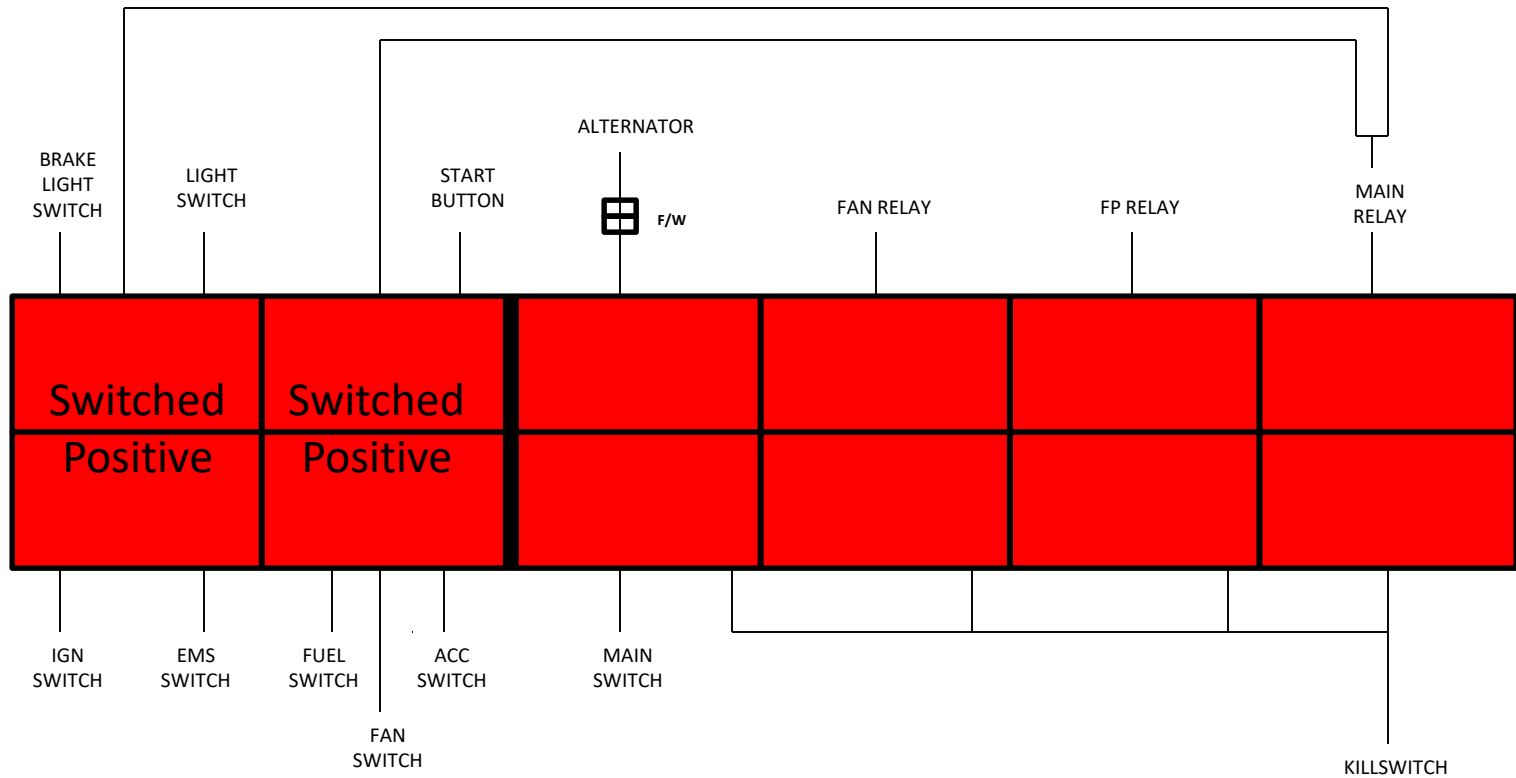


FUSE PANEL

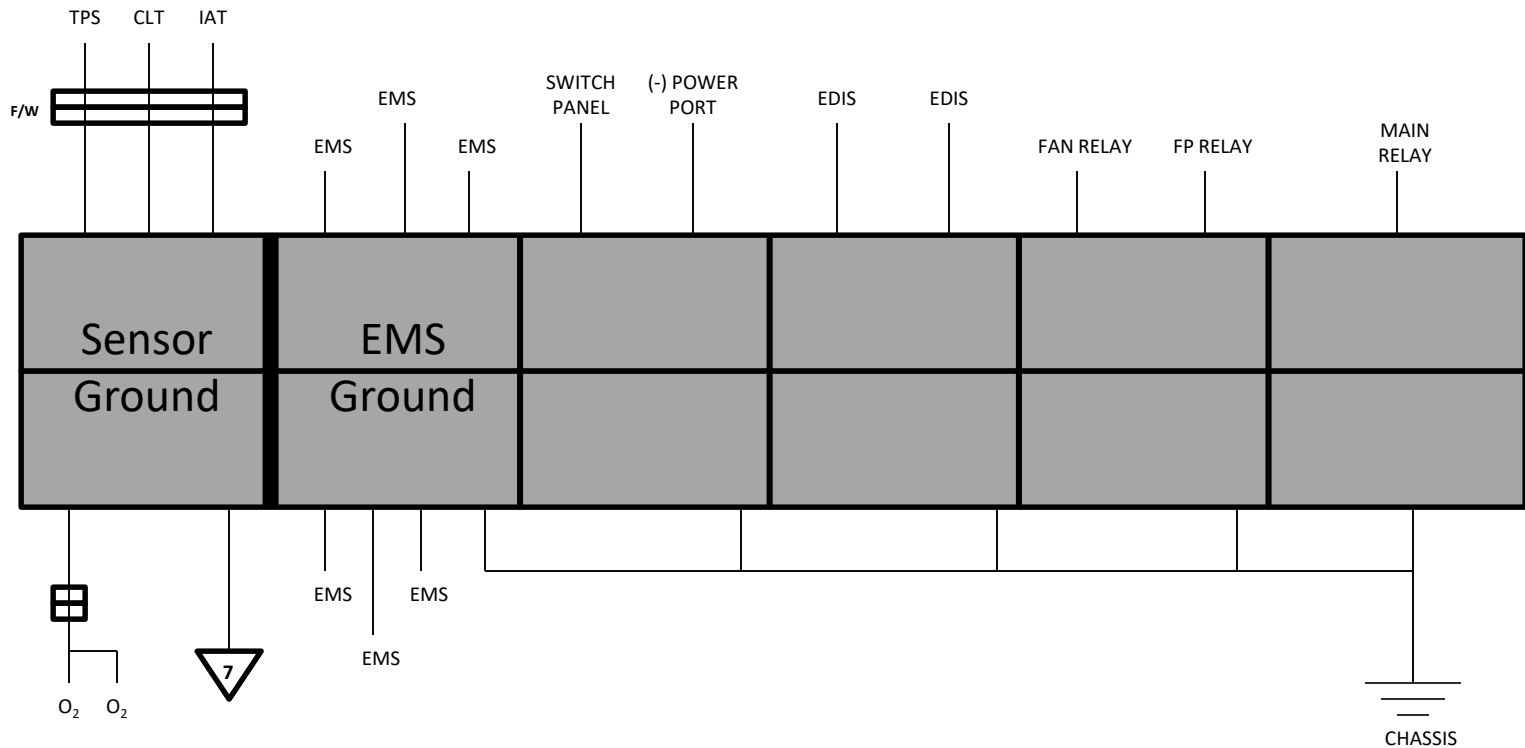




(+) Strip



GND Strip



RELAYS

